



Design On Purpose

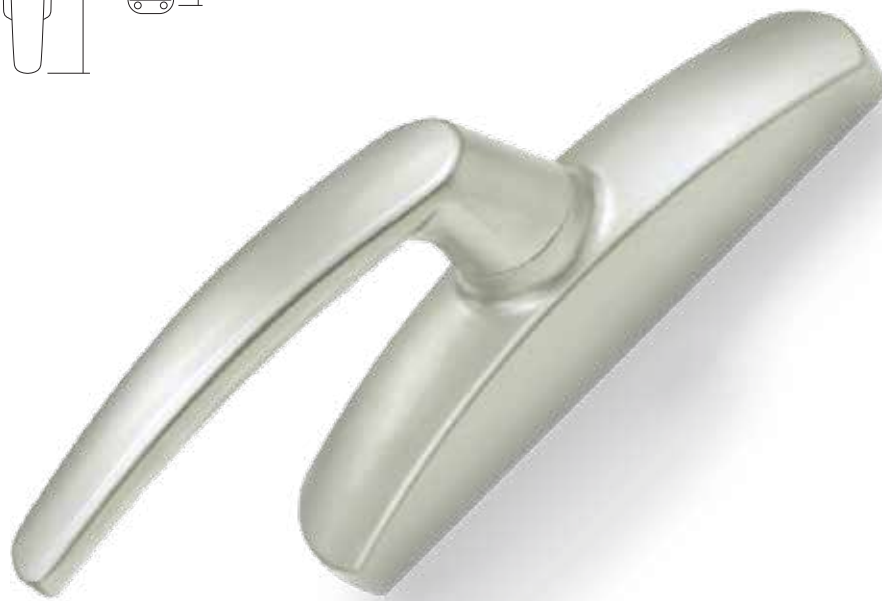
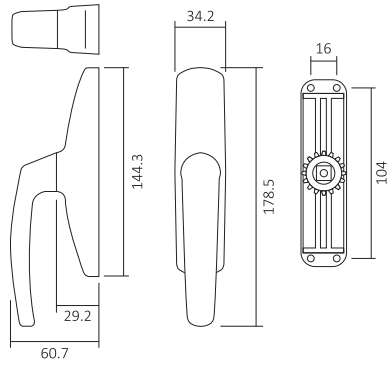


Premium Luxury  
Door and Window  
Architectural Hardware

# ALTIAR

multipoint handles

MLH1000 / 1010



finishing



material



Moving Path Tolerance 12mm for Single fork (MLH1000) / 16mm for Double fork (MLH1010).

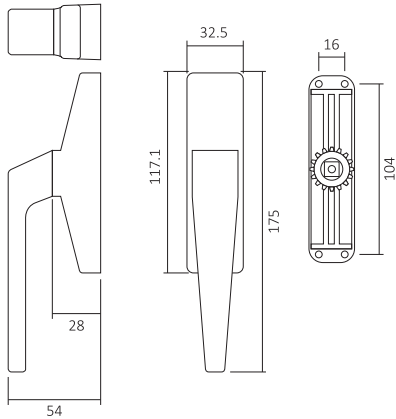
Anodized finishing. Powder coat finish for white and black.

\*Custom finish available.

# NOVER

multipoint handles

MLH3000 / 3010



finishing



material



Moving Path Tolerance 12mm for Single fork (MLH3000) / 16mm for Double fork (MLH3010).

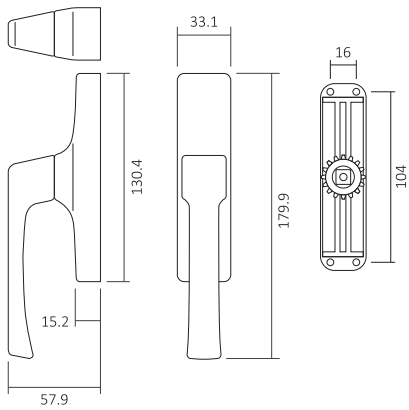
Powder coat finish for white and black.

\*Custom finish available.

# PITAGORA

multipoint handles

MLH5000 / 5010



finishing



material



Moving Path Tolerance 12mm for Single fork (MLH5000) / 16mm for Double fork (MLH5010).

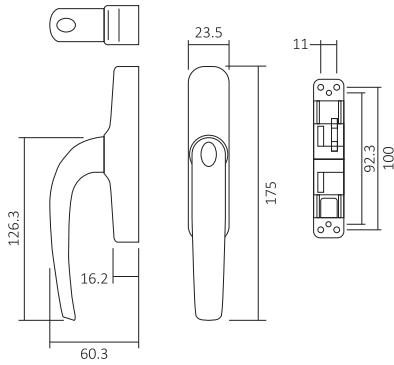
Anodized finishing. Powder coat finish for white and black.

\*Custom finish available.

# DISTINTO

multipoint handles

MLH2000 / 2010



finishing



material



Moving Path Tolerance 10mm for Single fork (MLH2000) / 14mm for Double fork (MLH2010).

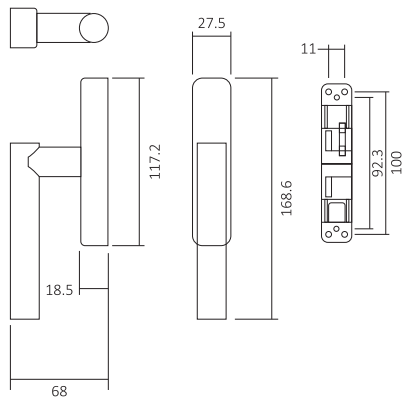
Powder coat finish for white and black.

\*Custom finish available.

# AIRA

multipoint handles

MLH9000 / 9010



finishing



material



Moving Path Tolerance 10mm for Single fork (MLH9000) / 14mm for Double fork (MLH9010).

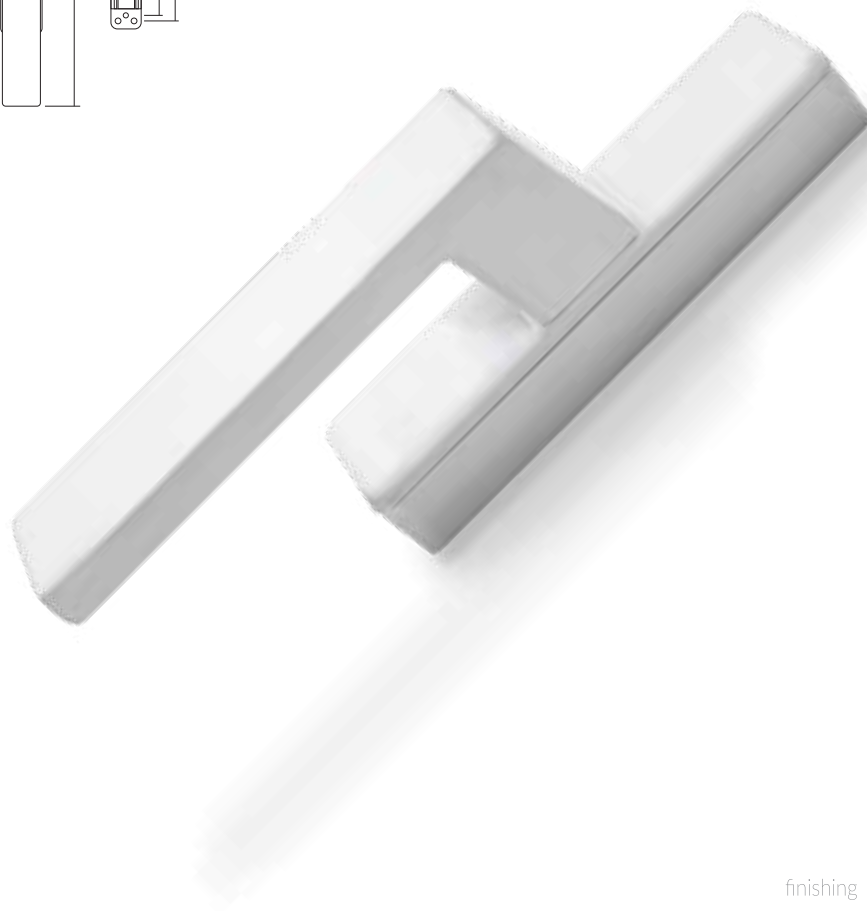
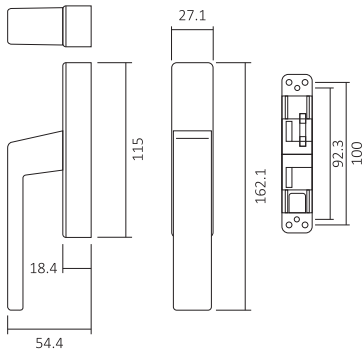
Powder coat finish for white and black.

\*Custom finish available.

# LINEA

multipoint handles

MLH4030 / 4060



finishing



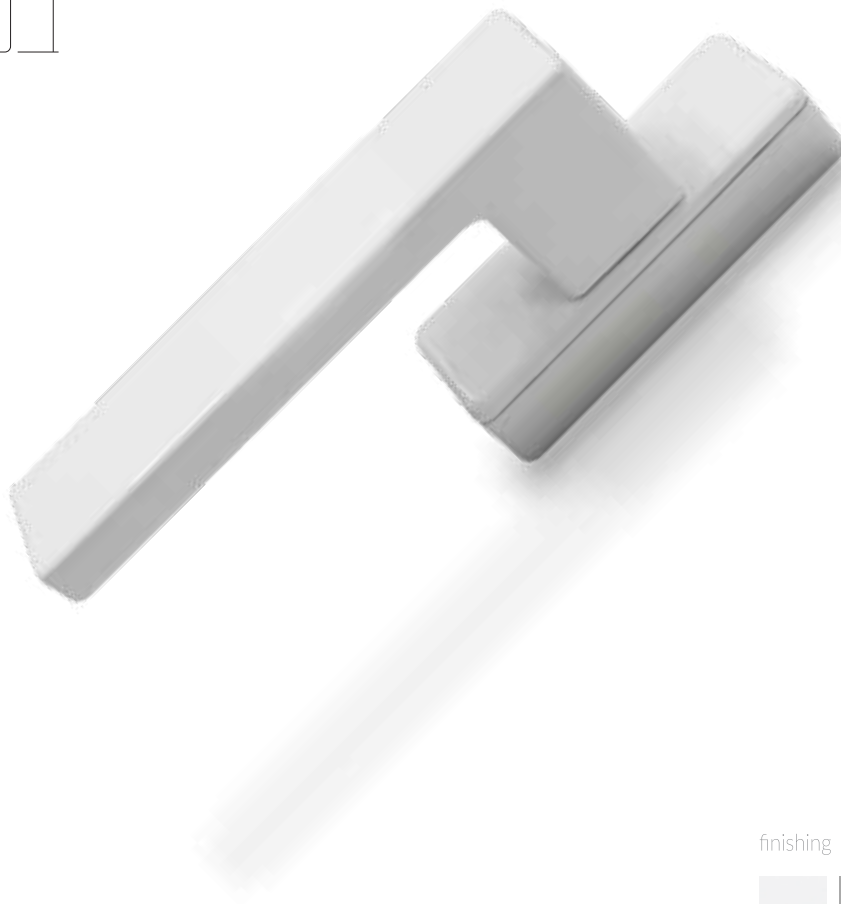
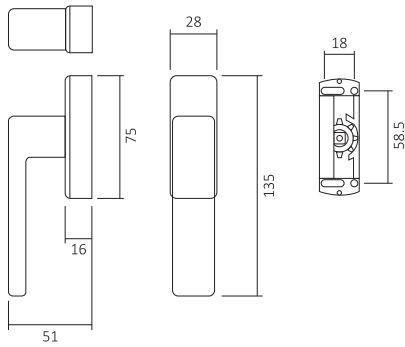
material



Moving Path Tolerance 10mm for Single fork (MLH4030) / 14mm for Double fork (MLH4060).

# KUBIK

multipoint handles  
EU6000



finishing

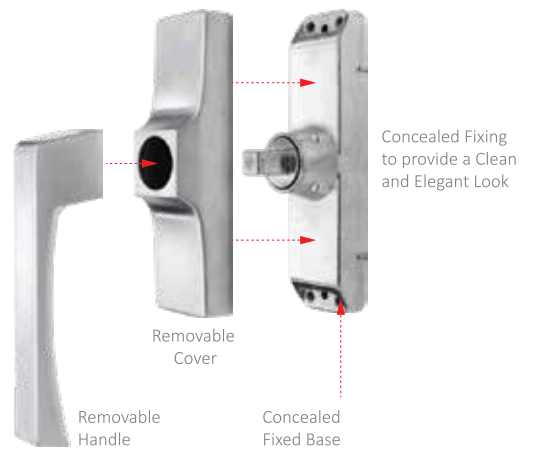


material





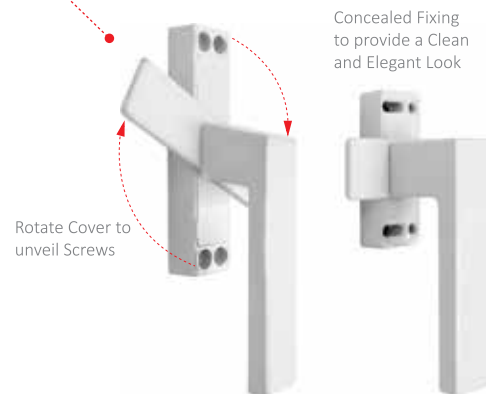
FEATURES  
multipoint handles  
**informaXion**



MLH1000 / 1010 ALTIAR  
MLH3000 / 3010 NOVER  
MLH5000 / 5010 PITAGORA



MLH2000 / 2010 DISTINTO  
MLH9000 / 9010 AIRA

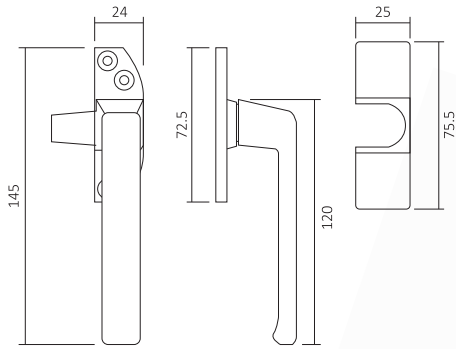


MLH4030 / 4060 LINEA  
EU6000 KUBIK

# CARETA

casement handles

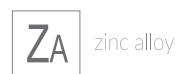
SPH121-WK



finishing



material



# FEATURES

## casement handles

### informaXion



SPH121-WK CARETA



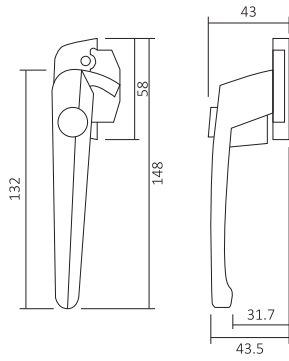
Styled for strong and comfortable grip most suitable for casement or awning windows.

Perfect smart slot fitted screw cover plate for a clean overall aesthetics.

# GOHA

casement handles

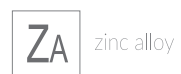
SPH111-K/WK



finishing



material



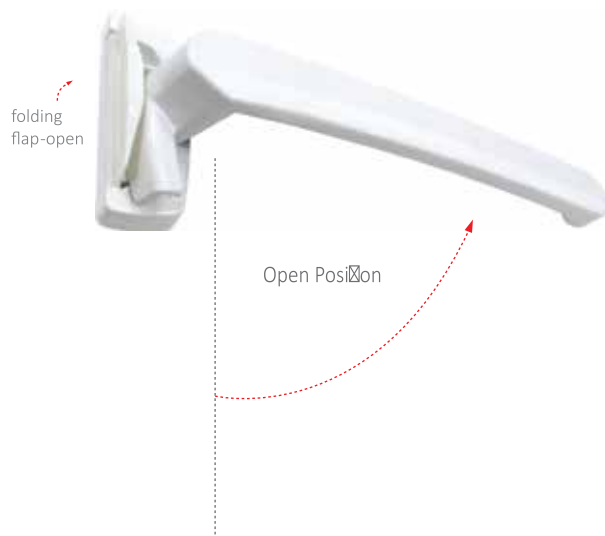
# FEATURES

## casement handles

### informa~~X~~on



SPH111-K GOHA



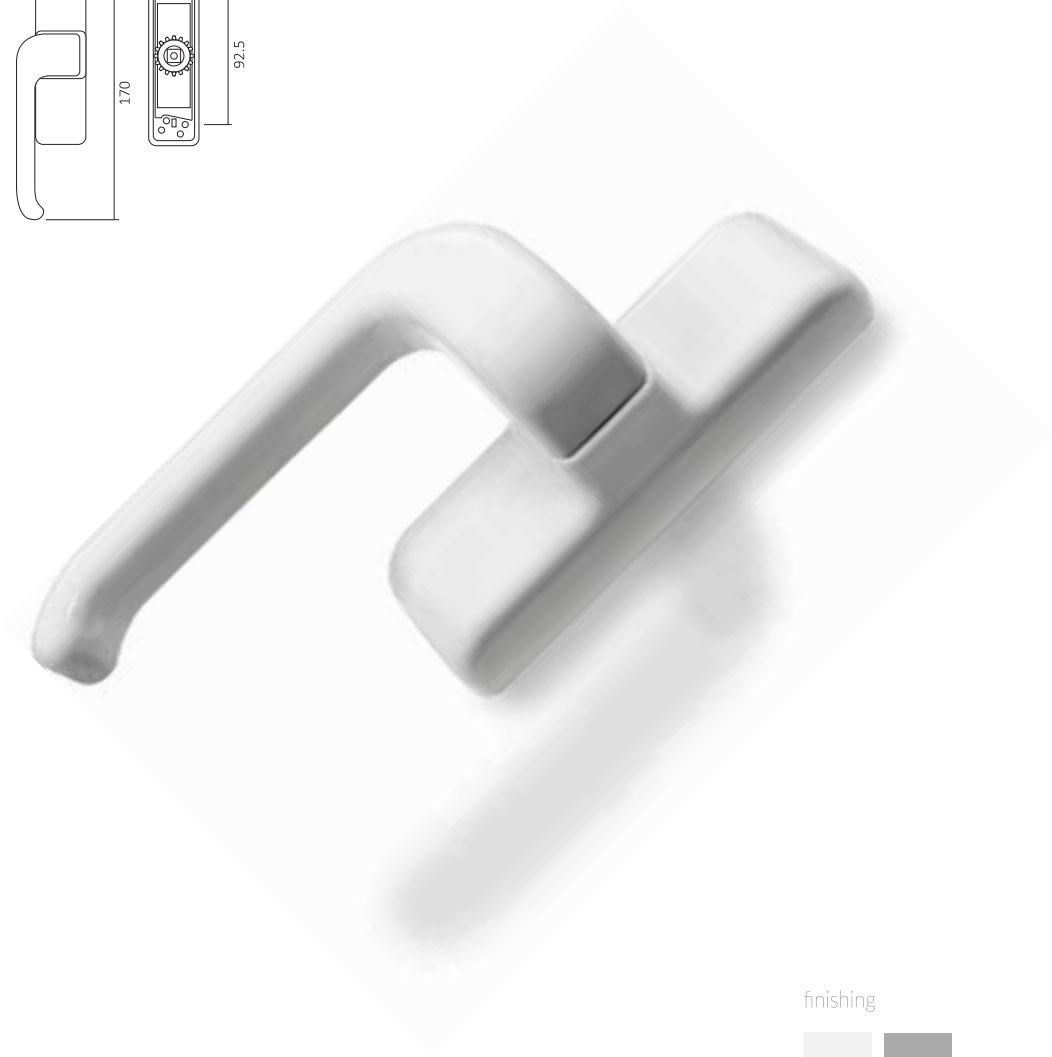
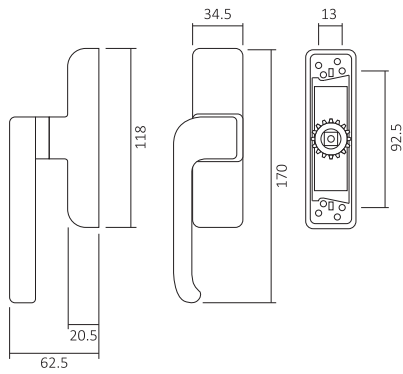
SPH111-WK GOHA



# CORTINA

curtain wall handle

CRW-100



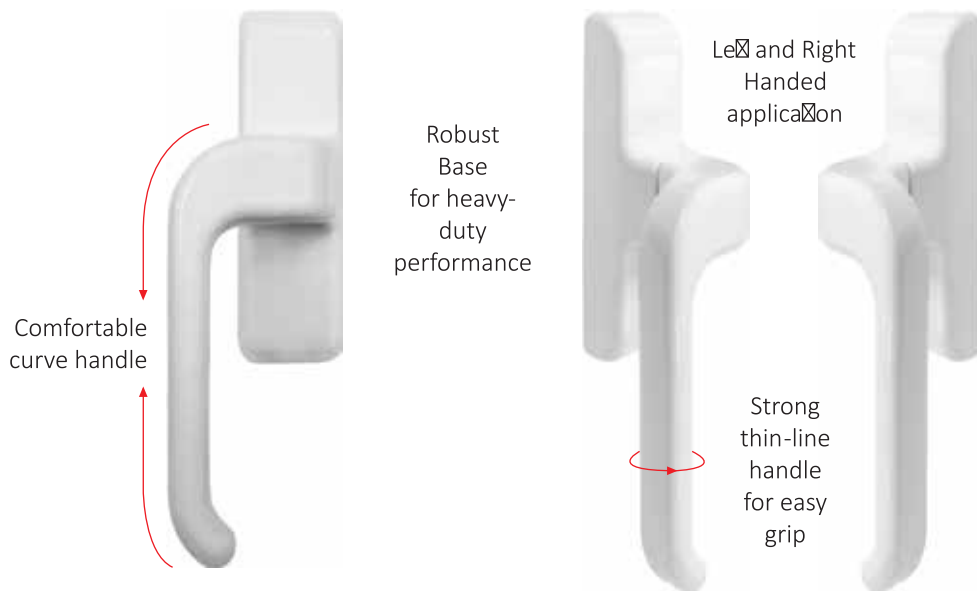
finishing



material



FEATURES  
curtain wall handle  
information



# VENTANA / VALOR

friction stay

VENTANA 22SG / VALOR 18SG



finishing



material



stainless steel SUS304



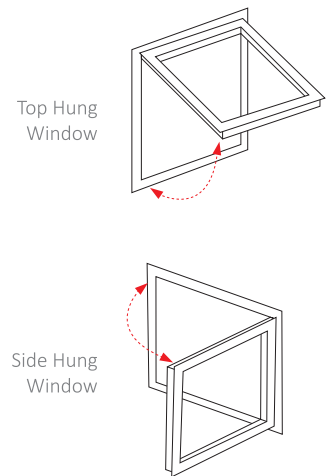
# FEATURES

## friction stay

### informaXon



Perfect fitted nose when it is closed for weather seal & draught proof.



VALOR 18SG Side Hung

Size	8"	12"	16"	16"	20"
Opening Degree	55° ± 2°	86° ± 2°	88° ± 2°	80° ± 2°	65° ± 2°
Max. Vent Width(mm)	350	500	650	650	750
Max. Vent Height(mm)	800	1200	1500	1500	1500
Max. Vent Weight	10kg	14kg	15kg	25kg	28kg
Stack Height(mm)	14 ± 0.2	14 ± 0.2	14 ± 0.2	15.8 ± 0.2	15.8 ± 0.2
Thickness (mm)	2.0	2.0	2.0	2.5	2.5

VALOR 18SG Top Hung

Size	10"	14"	16"	18"	20"	24"
Opening Degree	32° ± 2°	33° ± 2°	32° ± 2°	32° ± 2°	33° ± 2°	25° ± 2°
Max. Vent Width(mm)	1000	1200	1200	1200	1200	1300
Max. Vent Height(mm)	600	1000	1200	1300	1400	1500
Max. Vent Weight	24kg	37kg	42kg	44kg	52kg	57kg
Stack Height(mm)	14 ± 0.2	15.8 ± 0.2	15.8 ± 0.2	15.8 ± 0.2	16.8 ± 0.2	16.8 ± 0.2
Thickness (mm)	2.0	2.5	2.5	2.5	3.0	3.0

VENTANA 22SG Side Hung

Size	10"	12"	16"	18"
Opening Degree	86° ± 2°	86° ± 2°	88° ± 2°	80° ± 2°
Max. Vent Width(mm)	400	500	650	700
Max. Vent Height(mm)	1200	1200	1500	1500
Max. Vent Weight	16kg	22kg	25kg	27kg
Stack Height(mm)	15.8 ± 0.2	16.8 ± 0.2	16.8 ± 0.2	16.8 ± 0.2
Thickness (mm)	2.5	3.0	3.0	3.0

VENTANA 22SG Top Hung

Size	10"	12"	14"	16"	18"	20"	24"
Opening Degree	29°	30°	31°	30°	30°	30°	27°
Max. Vent Width(mm)	800	1000	1200	1200	1300	1300	1400
Max. Vent Height(mm)	600	800	1000	1200	1200	1400	1500
Max. Vent Weight	26kg	30kg	35kg	40kg	50kg	60kg	70kg
Stack Height(mm)	15.8 ± 0.2	15.8 ± 0.2	15.8 ± 0.2	15.8 ± 0.2	15.8 ± 0.2	16.8 ± 0.2	16.8 ± 0.2
Thickness (mm)	2.5	2.5	2.5	2.5	2.5	3.0	3.0

The strength carries out smooth and balanced operation makes windows open and close with ease.

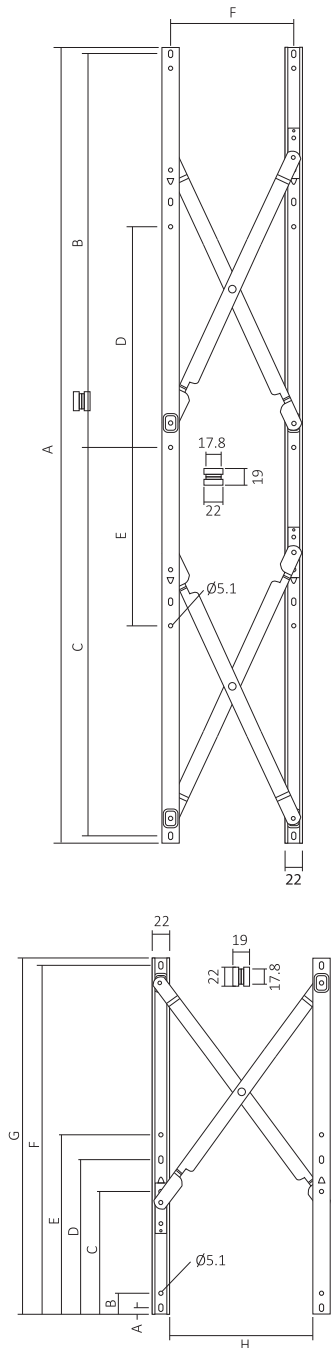
Independent Left or Right hand friction stay for better accuracy closing alignment and complete size range cater for most application.

Effective weather sealing and draught proofing fully concealed once fitted.

# PERALELO

parallel window hinge

X-1 / X-2



finishing



material



stainless steel SUS304

# FEATURES

## parallel window hinge

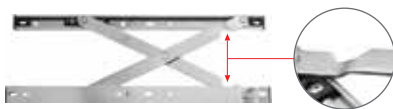
### informa~~X~~on



X-1	Size	A	B	C	D	E	F	G	H
	12"	8	24.5	145.5	184	213	288	296	117.8
	14"	8	24.5	145.5	184	213	338	346	117.8
	16"	8	24.5	145.5	184	213	388	396	154
	18"	8	24.5	145.5	184	213	442	450	170.6
Size	Max. Window Width (mm)	Min. Window Width (mm)	Max. Window Height (mm)	Min. Window Height (mm)	Max. Window Weight (kg)	Stack Height (mm)			
12"	800	450	800	450	40	19			
14"	800	450	800	450	50	19			
16"	900	600	900	600	60	19			
18"	1000	650	1000	650	70	19			

X-2	Size	A	B	C	D	E	F	G	H
	20"	500	242	242	121	118	170	22	19
	28"	700	342	342	188	161	170	22	19
	38"	950	467	467	262	213	170	22	19
	Size	Max. Window Width (mm)	Min. Window Width (mm)	Max. Window Height (kg)	Min. Window Height (mm)	Max. Window Weight (kg)	Stack Height (mm)		
20"	1200	600	1200	600	60	19			
28"	1400	800	1500	900	80	19			
38"	1700	1150	1750	1200	100	19			

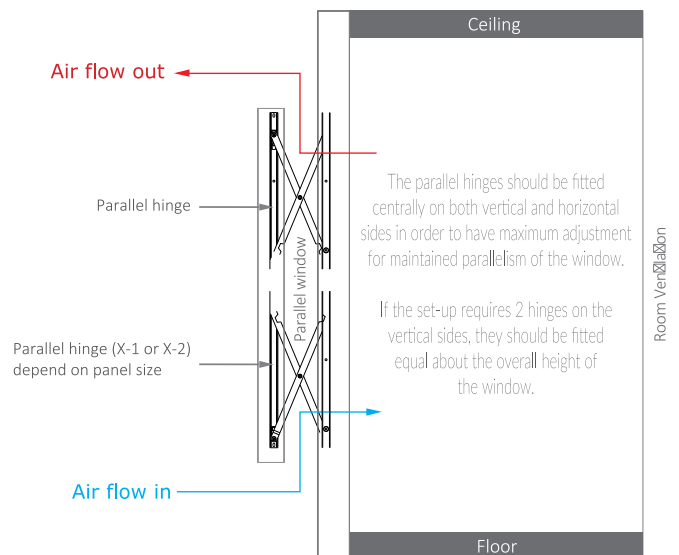
\*left and right application



Contour arms are design to close entirely for better noise reduction and appearance.



### Applica~~X~~on System



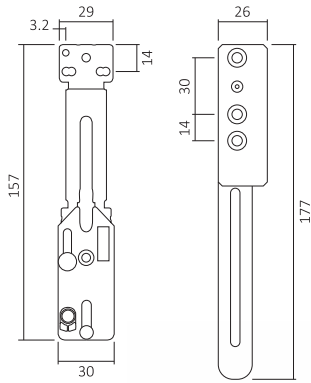
Maximum weight up to 100kg can be manually operated. If required, it is possible to create much larger motorised panel with optional motor kit.

It can accommodate larger panels using a combination of hinge sizes and suitable for curtain wall applications.

# OSCURO

window safety catch

MPC-3000



finishing



material



stainless steel SUS304

# FEATURES

## window safety catch

### informa~~X~~on



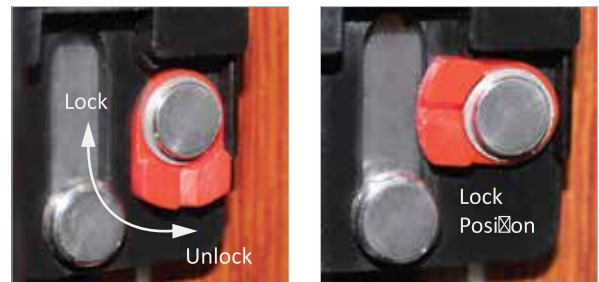
#### Safety Stopper

Restricts the opening to less than 60mm, to avoid unexpected accidents by children.



#### Hidden Child Lock

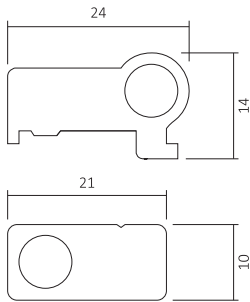
Restrict Safety Stopper from movement. An additional locking.



# CAPTURA

window safety catches

WSC-100 Series



WSC-110

WSC-115

WSC-120

finishing



material



stainless steel

# FEATURES

## window safety catches

### informa~~X~~on



To prevent window panel falling from building.

Braided Stainless Steel Rod  
giving a high density  
characteris~~X~~c.

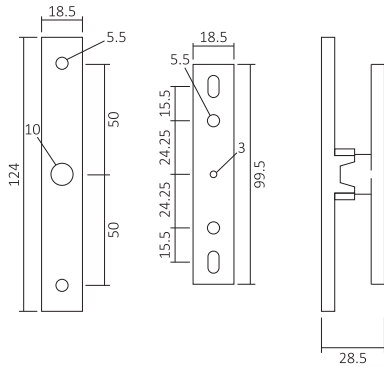


Flexible  
Stainless Steel  
Rod

# GIRAR

heavy-duty window pivot hinge

WPH-360-HD



finishing



material



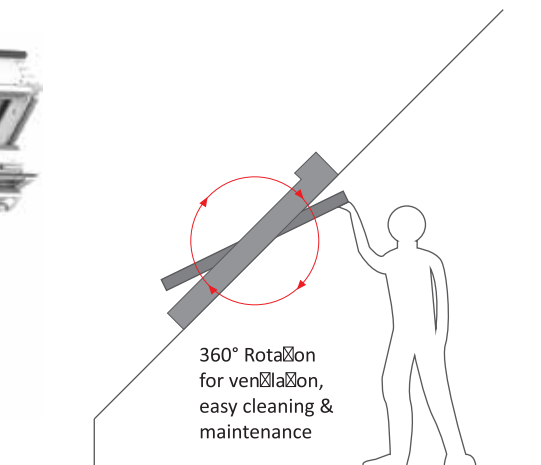
zinc die-cast



FEATURES  
heavy-duty window pivot hinge  
informaXion



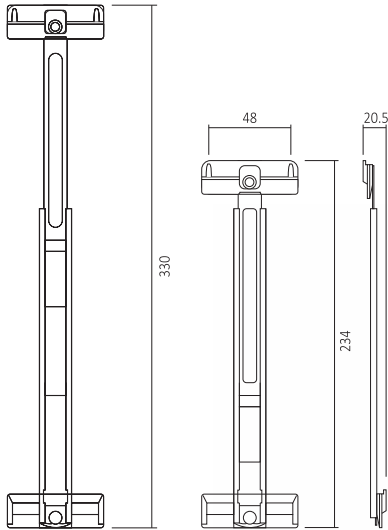
360° Centre Pivot Window



# COMBINAR

release and restrict arm

WFS-090



finishing



material



stainless steel SUS304

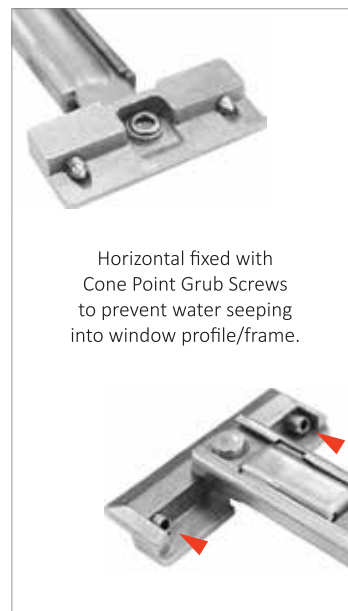
# FEATURES

## release and restrict arm

### informa~~xi~~on



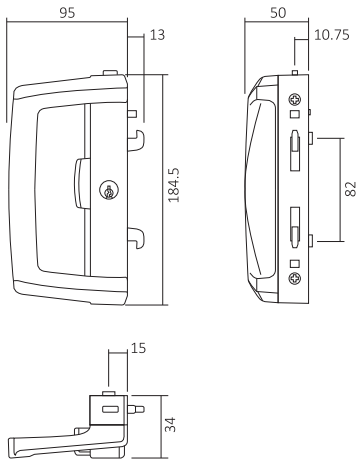
To unlock the arm from its position, simply press and slide-away the Latch Lock Button. Arm is released. Open-window at desired position for ventilation maximum at 135° while arm is unlatch.



# GEMELO

performance sliding door lock

SLSH-200-T/S



finishing



material



# FEATURES

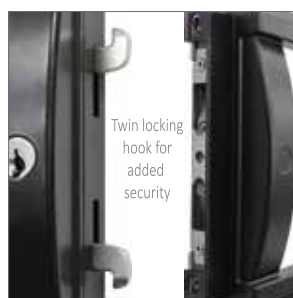
## performance sliding door lock

### informa~~X~~on

SLSH200-T (Twin)



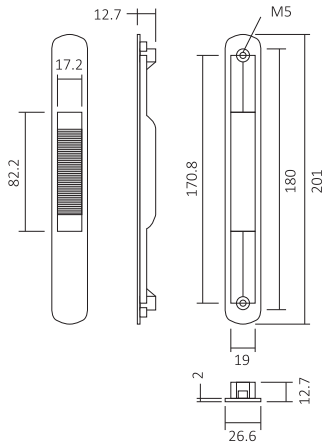
SLSH200-S (Single)



# RESBALAR

sliding door lock

SL300



finishing



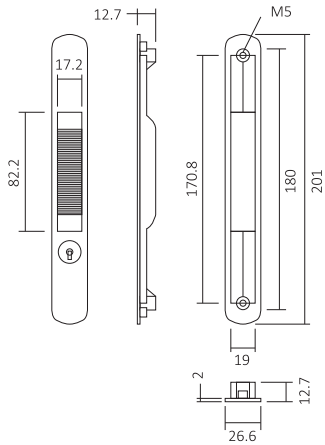
material



# RESBALAR

sliding door lock with key

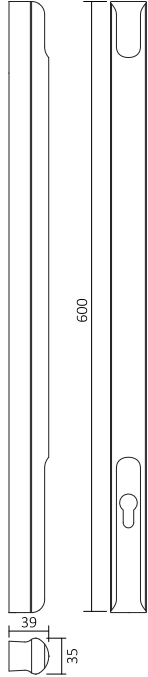
SL310



# LUCIDO

sliding door handle

SLSC-100-D/S



finishing



material





FEATURES  
sliding door handle  
informa~~X~~on



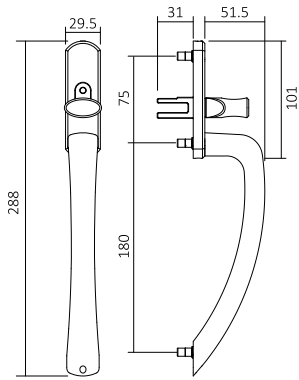
MaxKaven series laser cut luxury sliding door handles with a clean appearance and comfort. Designed for style and class.



# MONADA

sliding door handle

SLSMP-300



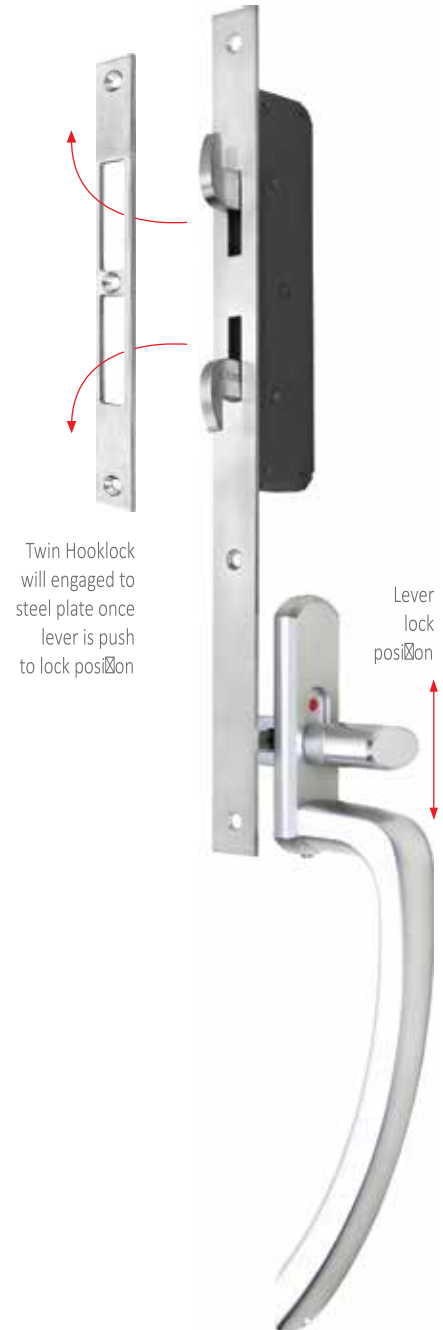
finishing



material



FEATURES  
sliding door handle  
informa~~X~~on



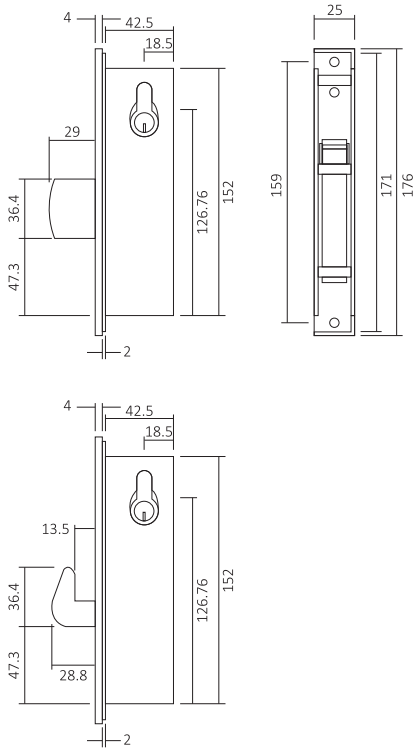
A quality of stainless steel SUS304 material made ensure quality and durability.

Mortice lock with twin hook bolt is fixed and is activated by a lever up and down motion.

# OPCION

swing door mortise lock

MDLS-510



finishing



material



zinc alloy

FEATURES  
swing door mortise lock  
**informaXion**



**MDLS-510**  
Mortise Deadlock



**MDLS-500**  
Mortise Hooklock



\*compatible with  
MaxKaven Profile Cylinder Lock  
60 / 70 / 80 / 90 / 100 / 120 / 130mm

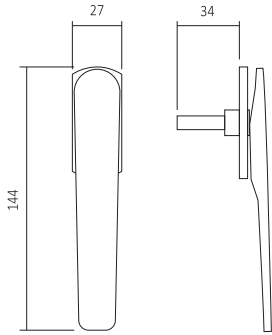


\*compatible with  
MaxKaven® Eschutcheon

# FORRAR

bifold door handle

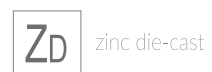
FLS-01



finishing



material



# FEATURES

## bifold door handle

### informaXion



Incorporated with MaxKaven Bifold Morse

Two points of engagement to secure the top and bottom of the door panel. This greatly improves the doors performance against forced entry and deflection in adverse weather.



Set with MaxKaven Eschutcheon



\*compatible with MaxKaven Profile Cylinder Lock



Standard flush bolt rod

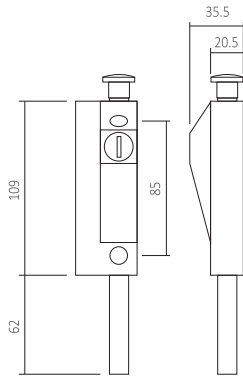


Bifold door handle and lock is suitable for use on hinged and bifold aluminium doors and windows.

Made from zinc die-cast construction and finished in beautiful shape, the handle is a non-handed which can be used on left and right-handed doors and windows.

# ANCORA

door bolt lock  
SLBL-11K



finishing



material



zinc alloy (case)



stainless steel (bolt)



FEATURES  
door bolt lock  
informa~~X~~on



**SLBL-11K**  
Door bolt lock  
with Unique key



**SLBL-11T**  
Door bolt lock  
with Thumbturn

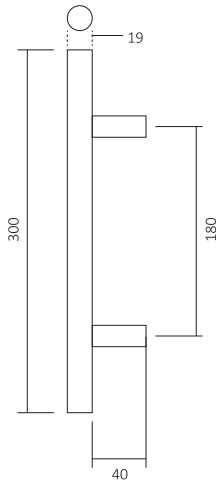
Key and Thumbturn option for different locking systems. They add a great deal of added security, prevents the sliding door from being forced open.

Incorporated  
with  
MaxKaven  
Dust  
Socket



# CAMARA

pull handles  
SPH100/MB



finishing



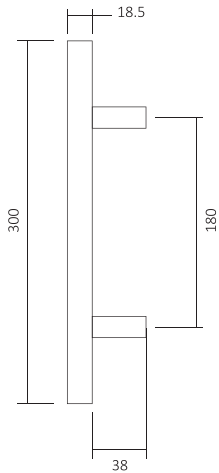
material



## CAMARA II

pull handles

SPH200/MB



## CAMARA III

SPH300/MB

finishing



material



# AGARRO

lever handle lock

LHL-100



finishing



material



# AGARRO

lever handle lock  
LHL-120



LHL-130



LHL-140

finishing



material



aluminium alloy

**BLAC**  
lever handle  
LHL-500



LHL-501



LHL-502



LHL-503



LHL-504



LHL-505



LHL-522



LHL-523

finishing

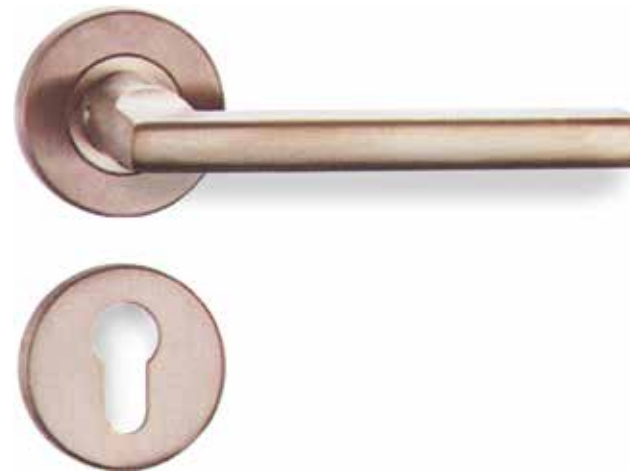


material



aluminium alloy

**BRILLO**  
lever handle  
LHL-500



finishing



material

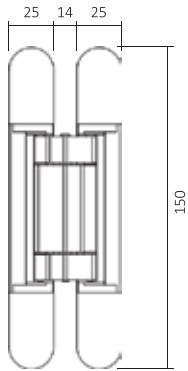


aluminium alloy

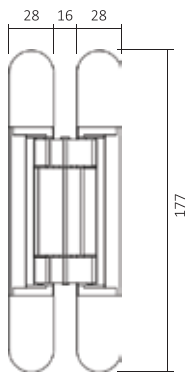
# CUSADO

adjustable concealed hinge

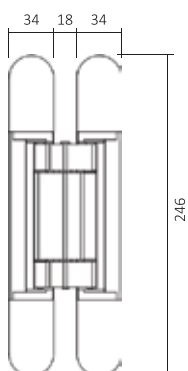
ACH-40/80/120/80A/80B



ACH-40



ACH-80



ACH-120



finishing



material

**ZA** zinc alloy

**AL** aluminium

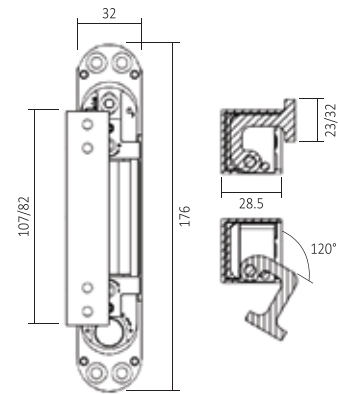


FEATURES  
adjustable concealed hinge  
information

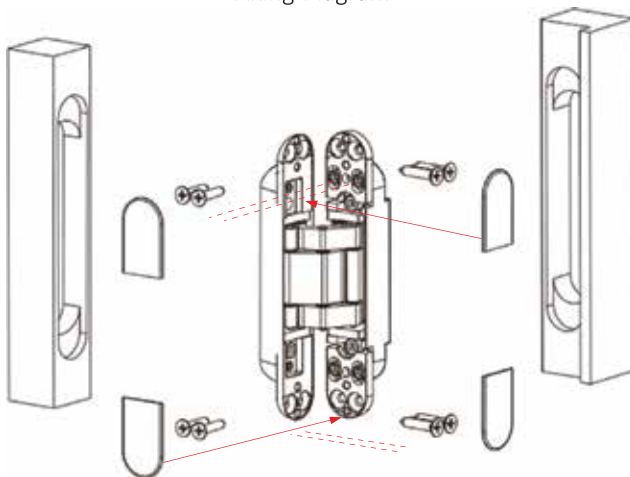


ACH-80A (80kg)

ACH-80B (80kg)



Fixing Diagram

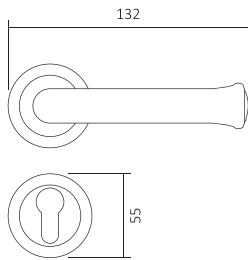


Aligned and smooth operation. Tight fixed closing.

# REGIO

lever handle [royal series]

LHL-700



finishing



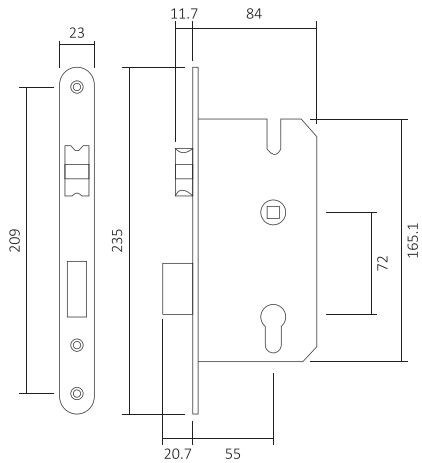
material



# REAL

mortise sash lock [royal series]

MSL-100/55



**C-70KT**  
[70mm Brass Cylinder Keyed / Thumbturn]

finishing



material



stainless steel SUS304

www.vsp.com.my

Design On Purpose

**MAX KAVEN**

by **VSP**<sup>®</sup>



Awarded as Malaysia  
Power Brand Accreditation  
Standards



SIFIM  
Certified  
Products